

Date \_\_\_\_\_  
 AVFI Sales REP \_\_\_\_\_  
 Customer Signature \_\_\_\_\_

Quote No. \_\_\_\_\_  
 Customer No. \_\_\_\_\_  
 AVFI No. \_\_\_\_\_

Office Use Only

To generate your order form, please refer to the information provided below to insert the alphabetic and/or numeric code in the respective category boxes. Please note that without this filled out Order Form, your purchase **cannot** be processed.

1	2	3	4
Product Model	Finish	Chargeable Accessories	Custom Cutouts
Please fill selection <b>MOD#- _____</b>			

## 1 Product Model



**MOD2945-E**  
Seat Height



**MOD3745-N**  
Counter Height

## 2 Choose Product Finish

**Standard Finishes** (Ships within 1-15 business days)



## 3 Chargeable Add-ons (Check all that apply)

- Code **0** No Accessories
- Code **X1** MOD29-A Series 10U Rack 20" Depth - A Top Qty:
- Code **X2** MOD29-A EXT Series 10U Rack 23" Depth - A Top Qty:
- Code **X3** MOD29-B Series 10U Rack 20" Depth - B Top Qty:
- Code **X4** MOD29-B EXT Series 10U Rack 23" Depth - B Top Qty:
- Code **X5** MOD37-J Series 14U Rack 20" Depth - A Top Qty:
- Code **X6** MOD37-J EXT Series 14U Rack 23" Depth - A Top Qty:
- Code **X7** MOD37-K Series 14U Rack 20" Depth - B Top Qty:
- Code **X8** MOD37-K EXT Series 14U Rack 23" Depth - B Top Qty:
- Code **T1** MOD-RC Series Round Corner Qty:
- Code **T2** MOD-SC Series Square Corner Qty:
- Code **T3** MOD-02 Series Round Desk End Qty:
- Code **T4** MOD-00 Series Dual Rack Desk End Qty:
- Code **T5** MOD29-CC Series Slim Door Cable Concealer Qty:
- Code **X0** MOD37-CC Series Slim Door Cable Concealer Qty:
- Code **T7** MODU-P2 Modesty Panel Qty:

All add-on options will be provided with the same finish specified in this order form. If alternative finish or accessories are required specifically for the add-on unit, please contact our sales team or visit our website for more information.

## 3 Chargeable Accessories (Check all that apply)

- \* Code **EF** CHGQIB Wireless Charging Station Black Qty:
- Code **K1** C900S Single Monitor Arm Qty:
- Code **K2** C900D Dual Monitor Arm Qty:
- \* Code **P2** PCH730 PC Holder Qty:
- \* Code **K3** PLM1022 LCD Monitor Mount Qty:
- \* Code **D3** FM3 Countdown Timer and Clock Qty:
- \* Code **D2** LIGHT-18 Adjustable Gooseneck Light Qty:
- \* Code **E3** CUB3 Round Cable Well Qty:
- \* Code **E5** CUB5 Black Round Cable Well Qty:
- \* Code **E6** CUB5 Silver Round Cable Well Qty:
- \* Code **E8** CUB8 Table Top Cable Well Qty:
- \* Code **EA** CUB4S Silver Power Panel Qty:
- \* Code **EB** CUB4B Round Cable Well Qty:
- \* Code **EJ** CUB22 Black 3 Module Panel Qty:
- \* Code **EK** CUBM3 3 Module Power & Data Panel Qty:
- \* Code **EL** CUBM4 4 Module Power & Data Panel Qty:
- \* Code **D1** MIC-18 Gooseneck Microphone Qty:
- Code **M10** FWM100 VESA Mounting Bracket Qty:
- Code **P10** 50CAS Easy Maneuvering Casters Qty:
- Code **EB** PB12 12-Outlet 125V Powerbar Qty:
- Code **E1** PB 6 Outlet Power Bar Qty:
- Code Qty:
- Code Qty:

\* **Cutout Required** (Extra Charges will apply)  
 § Only on Flat Cutout

Date \_\_\_\_\_  
AVFI Sales REP \_\_\_\_\_  
Customer Signature \_\_\_\_\_

Quote No. \_\_\_\_\_  
Customer No. \_\_\_\_\_  
AVFI No. \_\_\_\_\_

OFFICE USE ONLY

Office Use Only

Comments (Please use this section to provide additional information)

\_\_\_\_\_  
\_\_\_\_\_  
\_\_\_\_\_  
\_\_\_\_\_  
\_\_\_\_\_  
\_\_\_\_\_  
\_\_\_\_\_

Notes

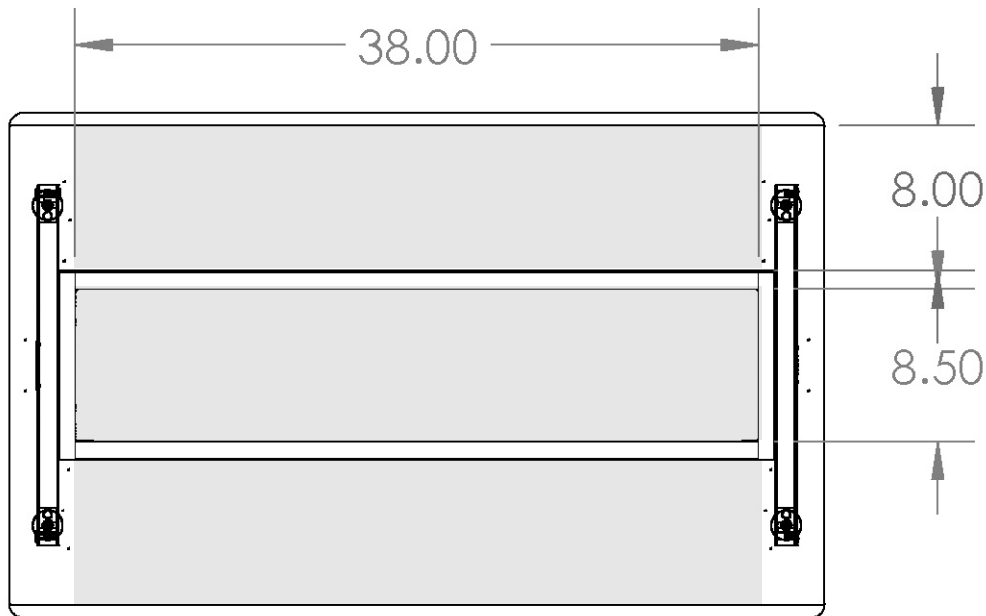
**CAD Drawings/Symbols**  
CAD drawings are available by request at sales@vegroup.net

**Custom Cutouts**  
Estimated lead time within 20 business days from receipt of P.O. and signed drawings.

**Customizations**  
Modifications to design such as shape and/or size variations have to be quoted on a per case basis and are applicable for quantities of 10+ only.

Please indicate custom cutout location on the drawing(s) below

4 Custom Cutout Option (Extra charges will apply)



Code **CO** No Custom Cutout  
Code **CC** Custom Cutout (Specify on Cutout Area Above)  
■ Cutout Area - Work Surface